



Plate+Rod

606

607

562

563

560

561

558

559

Order codes

composition-0-0plate color rod body-lamp

EXAMPLE 560-0-0AB-01

COMPOSITION 606 / Rod 1X, surface mounted
607 / Rod 1X, recessed
562 / Plate+Rod 2X2X, surface mounted
563 / Plate+Rod 2X2X, recessed
560 / Plate+Rod 3X3X, surface mounted
561 / Plate+Rod 3X3X, recessed
558 / Plate+Rod 4X4X, surface mounted
559 / Plate+Rod 4X4X, recessed

PLATE COLOR A / matte white
(Ø IF NOT B / mate black
APPLICABLE)

BODY A / aluminium, brushed
B / brass, brushed
C / copper, brushed
D / custom RAL color

LAMP 01 / 2700K, switchable
02 / 2700K, Phase Cut
03 / 2700K, DALI
04 / 3000K, switchable
05 / 3000K, Phase Cut
06 / 3000K, DALI
07 / 4000K, switchable
08 / 4000K, Phase Cut
09 / 4000K, DALI

Technical details

ELECTRICAL 220-240V, 50/60Hz, IP20
CLASS II Luminaire

BASE integrated LED

LAMPING 2700/3000/4000K
switchable/Phase Cut/
DALI versions

WEIGHT 606 / 2kg
607 / 2kg
562 / 26kg
563 / 26kg
560 / 36kg
561 / 36kg
558 / 45kg
559 / 45kg

Contact

LUMOCONCEPT LTD.
Design Studio and
Manufacturer

+36 70 267 1666
Bartók Béla út 133-135
1115 Budapest, Hungary

SOCIAL MEDIA
@lumoconcept

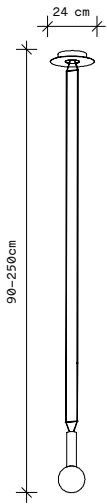
SALES & MEDIA
edina@lumoconcept.com

GENERAL INQUIRIES
info@lumoconcept.com

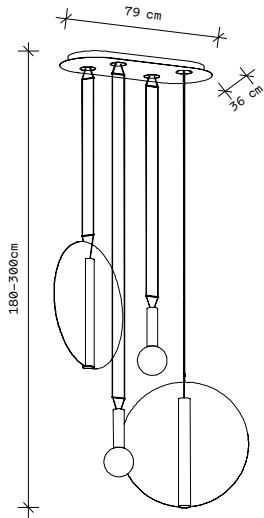
LUMO
LUMOCONCEPT



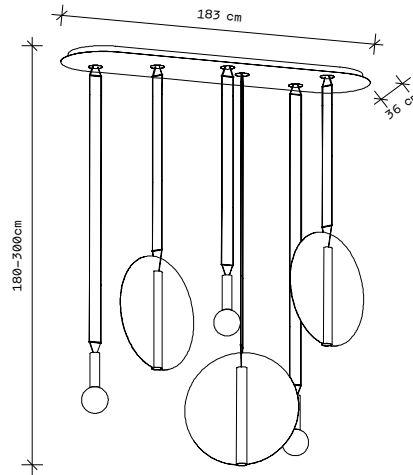
Surface mounted



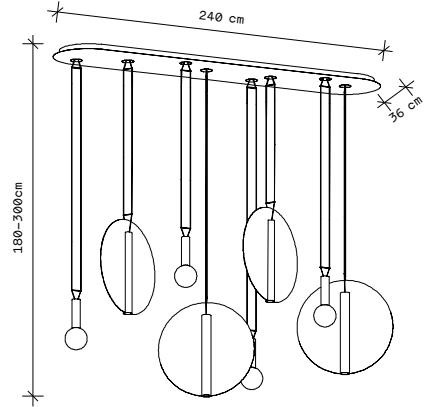
↑
Rod 1X-606



↑
Plate+Rod 2X2X-562

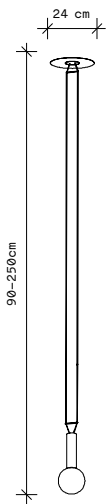


↑
Plate+Rod 3X3X-560

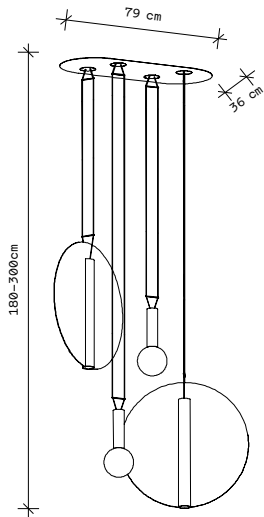


↑
Plate+Rod 4X4X-558

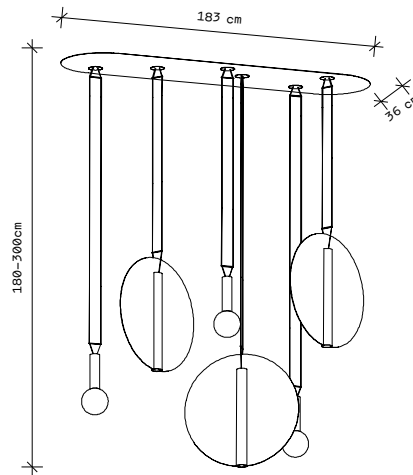
Recessed



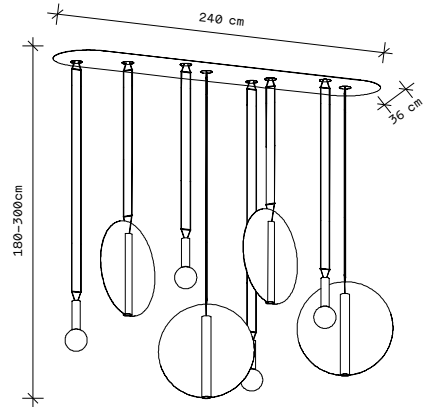
↑
Rod 1X-607



↑
Plate+Rod 2X2X-563



↑
Plate+Rod 3X3X-561



↑
Plate+Rod 4X4X-559