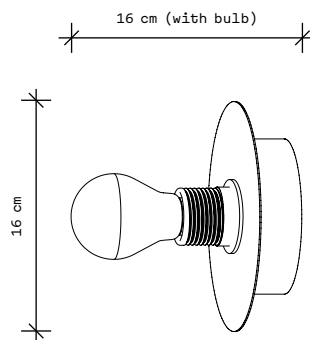




Neutrino 407

Dimensions



Contact

LUMOCONCEPT LTD.
Design Studio and
Manufacturer

+36 70 267 1666
Bartók Béla út 133-135
1115 Budapest, Hungary

SOCIAL MEDIA
alumoconcept

SALES & MEDIA
edina@alumoconcept.com

GENERAL INQUIRIES
info@alumoconcept.com

Order codes

407-0-0mirror plate body-lamp

EXAMPLE	407-0-0AA-01
MIRROR PLATE	A / black, matte B / stainless steel, polished C / brass, polished D / copper, polished
BODY	A / black, matte B / white, matte C / stainless steel, brushed D / stainless steel, polished
LAMP	00 / without bulb 01 / mirror headed LED gold E27 bulb, 2700K, 7W, switchable 02 / mirror headed LED silver E27 bulb, 2700K, 7W, switchable

Technical details

ELECTRICAL 220-240V, 50/60Hz, IP20
CLASS I Luminare

BASE E27

LAMPING E27 DECO MIRROR
max. 60W

Recommended lamp:
OSRAM LED Star Mirror or
OSRAM Mirror Gold CL
A 827 2700K E27

WEIGHT 0,6 kg

LUMO
LUMOCONCEPT





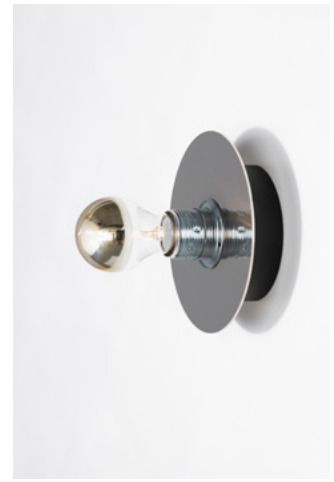
↑
Neutrino407
0AA-02



↑
Neutrino407
0AC-02



↑
Neutrino407
0AD-02



↑
Neutrino407
0BA-02



↑
Neutrino407
0BB-01



↑
Neutrino407
0BC-01



↑
Neutrino407
0CA-01



↑
Neutrino407
0CB-02



↑
Neutrino407
0CC-02



↑
Neutrino407
0DA-02



↑
Neutrino407
0DC-01