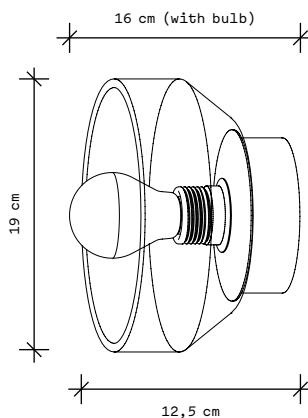


Neutrino 342

Dimensions



Contact

LUMOCONCEPT LTD.
Design Studio and
Manufacturer

+36 70 267 1666
Bartók Béla út 133-135
1115 Budapest, Hungary

SOCIAL MEDIA
@lumoconcept

SALES & MEDIA
edina@lumoconcept.com

GENERAL INQUIRIES
info@lumoconcept.com

Order codes

342-0-glass mirror plate body-lamp

EXAMPLE	342-0-AAA-01
GLASS	A / clear B / smoke grey C / rosaline
MIRROR PLATE	A / black, matte B / stainless steel, polished C / brass, polished D / copper, polished
BODY	A / black, matte B / white, matte C / stainless steel, brushed D / stainless steel, polished
LAMP	00 / without bulb 01 / mirror headed LED gold E27 bulb, 2700K, 7W, switchable 02 / mirror headed LED silver E27 bulb, 2700K, 7W, switchable

Technical details

ELECTRICAL 220-240V, 50/60Hz, IP20
CLASS I Luminare

BASE E27

LAMPING E27 DECO MIRROR
max. 60W

Recommended lamp:
OSRAM LED Star Mirror or
OSRAM Mirror Gold CL
A 827 2700K E27

WEIGHT 1,5 kg

LUMO
LUMOCONCEPT





↑
Neutrino342
ABA-01



↑
Neutrino342
ABB-02



↑
Neutrino342
ABC-01



↑
Neutrino342
ABC-02



↑
Neutrino342
ABD-01



↑
Neutrino342
ABD-02



↑
Neutrino342
ACA-02



↑
Neutrino342
ACB-01



↑
Neutrino342
ACB-02



↑
Neutrino342
ADA-02



↑
Neutrino342
ADB-01



↑
Neutrino342
BAA-01



↑
Neutrino342
BAA-02



↑
Neutrino342
BBC-01



↑
Neutrino342
BCA-01



↑
Neutrino342
BCA-02



↑
Neutrino342
BDA-01



↑
Neutrino342
BDA-02



↑
Neutrino342
CAA-02



↑
Neutrino342
CBA-02



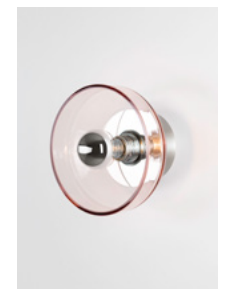
↑
Neutrino342
CBB-02



↑
Neutrino342
CBC-01



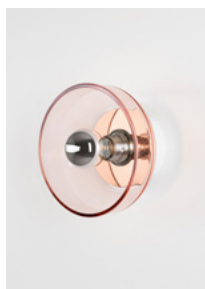
↑
Neutrino342
CBC-02



↑
Neutrino342
CBD-01



↑
Neutrino342
CBD-02



↑
Neutrino342
CDB-01



↑
Neutrino342
CDB-02